

USER'S INFORMATION, MAINTENANCE, AND SERVICE MANUAL

DOWNFLOW/UPFLOW
ELECTRIC FURNACE

MODELS: EBE/EUE SERIES



TABLE OF CONTENTS

CONTACT INFORMATION	1	BLOWER ASSEMBLY	3
SAFETY	1	AIR FILTER	3
OPERATING THE FURNACE	2	RETURN AIR	3
SHUTTING OFF THE FURNACE	2	ABSENCE FROM HOME	3
SEQUENCE OF OPERATION	2	PREPARATION FOR HEATING SEASON	3
LIMIT CONTROLS	2	YOUR AUTHORIZED SERVICE TECHNICIAN	3
BLOWER REMOVAL	2	AIR CONDITIONING ACCESSORIES	4
FURNACE OPERATION	3	HIGH PERFORMANCE BLOWER ACCESSORY PACKAGE	4
CIRCUIT BREAKERS	3	REPAIR PARTS LIST	5
LUBRICATION	3	LIMITED WARRANTY	11

CONTACT INFORMATION

- Go to www.york.com, click **Contact Us**, and follow the instructions.
- Contact us by mail:

Johnson Controls Ducted Systems
Consumer Relations
5005 York Drive
Norman, OK 73069

Read all sections of this manual and keep the manual for future reference.

WARNING

Cancer and Reproductive Harm – www.P65Warnings.ca.gov

CAUTION

This furnace and its components, including the air conditioning coils and blowers listed on the A/C accessory sticker were listed in combination as a system by Underwriters Laboratories.

Use of other components not tested in combination with this furnace may make the equipment in violation of State Codes, may create a hazard, and may ruin the equipment.

In addition, the National Manufactured Housing Construction and Safety Standards Act and its Regulations require the use of components listed or certified by a nationally recognized testing laboratory in all manufactured homes built and sold subject to that act.

WARNING

FOR YOUR SAFETY - Do not store or use gasoline or other flammable vapors and liquids in the vicinity of this or any other appliance.

For personal safety be sure to turn the electrical power OFF at the household service box and at the furnace before attempting any service or maintenance operations. Homeowner should never perform any maintenance which requires opening the furnace electrical panel.

Do not store or use gasoline or other flammable vapors and liquids in the vicinity of this or any other appliance.

WARNING

To avoid the possibility of electrical shock do not open electrical box panels.

SECTION I: SAFETY



This is a safety alert symbol. When you see this symbol on labels or in manuals, be alert to the potential for personal injury.

Understand and pay particular attention to the signal words **DANGER**, **WARNING**, or **CAUTION**.

DANGER indicates an **imminently** hazardous situation, which, if not avoided, **will result in death or serious injury**.

WARNING indicates a **potentially** hazardous situation, which, if not avoided, **could result in death or serious injury**.

CAUTION indicates a potentially hazardous situation, which, if not avoided **may result in minor or moderate injury**. It is also used to alert against unsafe practices and hazards involving only property damage.

SECTION II: OPERATING THE FURNACE

1. Ensure electrical power to the furnace is turned on at the household service box.
2. Set the wall thermostat to the required temperature.
3. If the furnace is equipped with air conditioning, turn the system switch located at the wall thermostat to HEAT to operate the furnace in heating mode.

⚠ WARNING

If you have an air conditioner that does not use the furnace blower for air distribution and operates completely independent of the furnace, the thermostat system must have an interlock to prevent the furnace and air conditioner from operating at the same time. Such operation could cause equipment damage, energy waste and over-heating of the home.

The interlock system usually contains a heat-cool switch that must be turned to either HEAT or COOL to activate heating or cooling operation. If an interlock system has not been provided, the electrical supply to the furnace must be turned OFF at the household service box when the air conditioner is being used. When operating the furnace, the electrical supply to the air conditioner must be turned OFF.

SHUTTING OFF THE FURNACE

1. Turn the thermostat to its lowest setting.

NOTICE

Furnace will still operate if room temperature falls below thermostat setting.

2. For complete shut-down, turn off electrical power at the household service box.

SECTION III: SEQUENCE OF OPERATION

When the room thermostat calls for heat, 24 V power is supplied to the heating element switches. As soon as the first heating element switch closes, the blower starts and power is supplied to the first heating element. Each additional element is staged on in successive intervals.

When the room thermostat demand is met and no more heat is required, the elements sequence off in the reverse order and the blower turns off.

LIMIT CONTROLS

Each element has an automatic limit switch that is wired into the circuit. The limit switch shuts off power to that element if the heat exceeds the allowed maximum heat.

BLOWER REMOVAL

NOTICE

Only authorized service technicians should remove the blower.

To remove the blower from the furnace:

1. Turn off power at the household service box.
2. Turn the furnace circuit breakers OFF.
3. Disconnect the wiring to the blower and remove the two screws holding the blower in place.
4. Slide the blower out from the front of the furnace. See Figure 1 or 2.
5. To reinstall the blower, slide the blower into the furnace, attach the two screws to hold the blower in place, and reconnect the wiring.

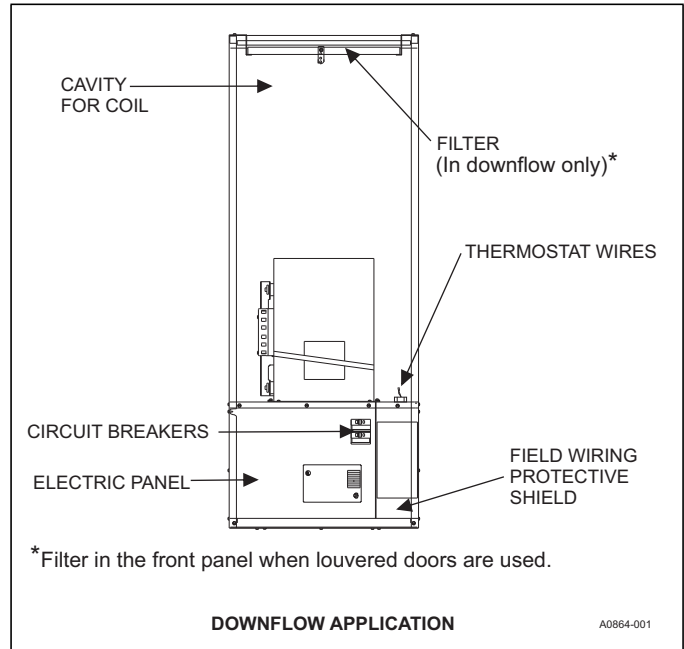


FIGURE 1: EBE Downflow Component Locations

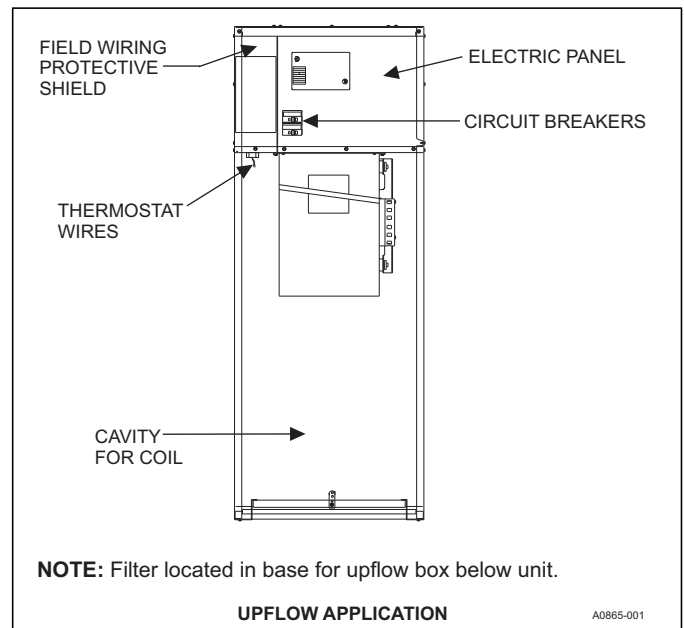


FIGURE 2: EUE Upflow Component Locations

SECTION IV: FURNACE OPERATION

CIRCUIT BREAKERS

Your electric furnace is equipped with a unique safety feature: circuit breakers. These circuit breakers are located behind the door of the furnace near the bottom of the furnace. See Figure 1. If a component fails inside the furnace, the circuit breakers prevent damage that can be caused by an electrical short.

WARNING

You must first de-energize the furnace at the main household power supply and lock it.

If the breakers trip, follow these steps to reset them:

1. Turn off the power to the furnace at the circuit breaker panel in the home.
2. Remove the furnace door and reset the circuit breaker in the furnace.
3. Reinstall the furnace door and turn the power back on at the circuit breaker panel in the home.

Note: If the circuit breakers trip again, there is a problem in the furnace. Contact a service technician. A list of authorized service centers is provided with every furnace. Use this for assistance in obtaining service for your furnace.

LUBRICATION

The blower motor bearings are factory sealed. Additional lubrication is not required.

BLOWER ASSEMBLY

Every electric furnace comes equipped with a blower capable of operating a heat pump or air conditioner. With the addition of the proper heat pump, you can avail of comfort and savings throughout the year. An air conditioner also works with your furnace and can provide cooling in summer at a very low operating cost.

AIR FILTER

The filter supplied with the furnace is a throw-away filter. Clean filters frequently. Shake out all loose dirt, and use a vacuum cleaner for additional cleaning. This method of cleaning prolongs filter life. Change filters regularly because clean filters provide added comfort, provide a better and cleaner environment, and increase the efficiency of the furnace.

FILTER LOCATION: For the downflow furnace, you must remove the front panel of the furnace to gain access to the filter. See Figure 1. For the upflow furnace, the filter is located behind the return air grille, adjacent to the furnace closet or any other location in the return air.

RETURN AIR

Return air must be provided back to the circulating blower to provide air distribution. **DO NOT OBSTRUCT ANY RETURN AIR GRILLE.** This causes the furnace heating elements to cycle off and on repeatedly.

ABSENCE FROM HOME

The power supply to your furnace is equipped with either a fused or breaker type disconnect. If an overload occurs, this interrupts the operation of your furnace until it is reset or the fuse is replaced. Do not assume that the furnace can operate unattended for long periods of time, especially if there is a possibility of damage to your property due to freezing. If you are away from home for a period, arrange for someone to check your home regularly (daily or every second day).

PREPARATION FOR HEATING SEASON

NOTICE

Be sure electrical supply to furnace is turned off at the household service box and furnace circuit breakers before cleaning.

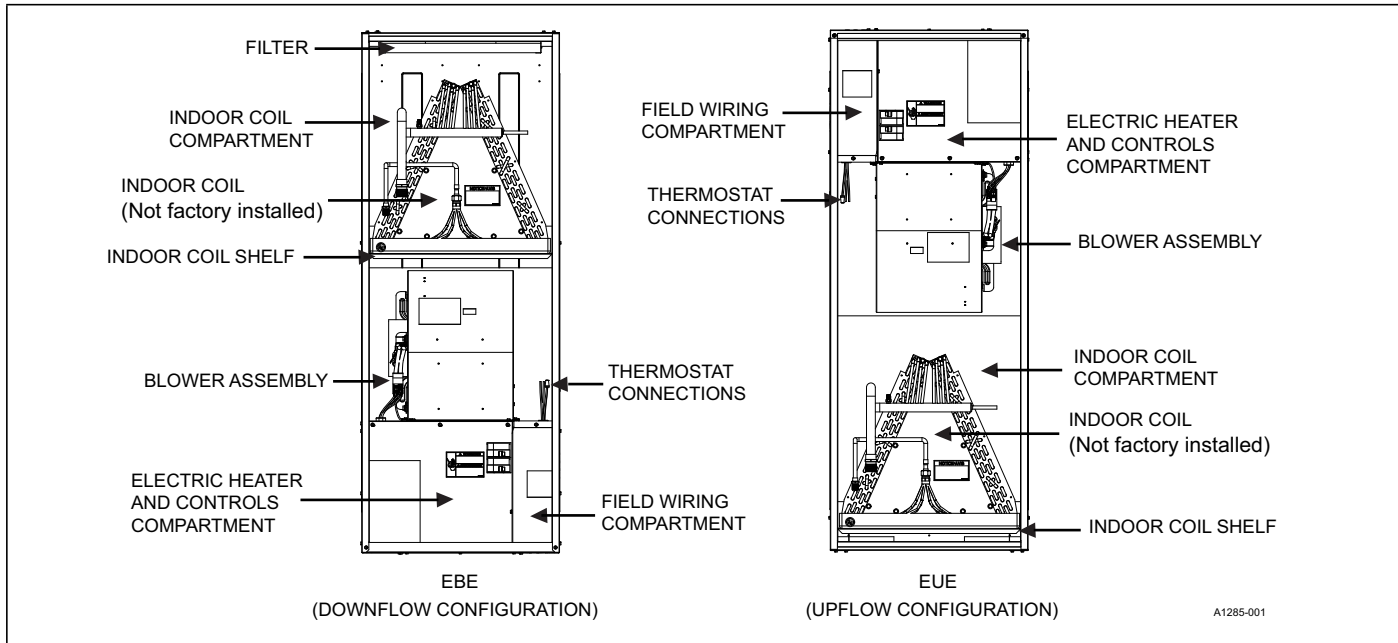
At the beginning of each heating season:

1. Replace filters as outlined previously in this document. Clean dust and lint from in and around the furnace. Clean dust and lint from the blower and the blower compartment.
2. If the furnace fails to operate properly:
 - a. Ensure that electrical power is being supplied to the furnace. Check the main household power supply.
 - b. If the furnace still fails to operate, shut off the furnace and contact your service technician.

YOUR AUTHORIZED SERVICE TECHNICIAN

It is important to service your furnace. If the unit gives any indication of improper operation, call your authorized service technician. If a service technician performs routine care of your furnace, they can identify potential problems and correct them. Preventive maintenance allows you to operate your furnace with minimum concern and helps to prolong furnace life.

AIR CONDITIONING ACCESSORIES

EBE/EUE Furnace Models**FIGURE 3: EBE/EUE Furnace - Location of Components****NOTICE**

EUE furnaces are shipped with the coil shelf in the top orientation. This is not a defect. For application, turn the unit 180° vertically so the coil shelf is in the bottom orientation.

EBE and EUE furnaces are factory equipped with a blower, coil shelf, and control system for add-on air conditioning and heat pump. The coil shelf accessory 3500-8981 can be used to replace current and older EBE and EUE coil shelves.

With the factory-installed coil shelf, the coil cavity accepts coils as follows:

- Up to 19-1/2 in. in height
- Up to 18-1/4 in. in width
- Up to 20-1/2 in. in depth

For or coil applications with a height above 19-1/2 in., use extension cabinet accessory 3500-8602.

NOTICE

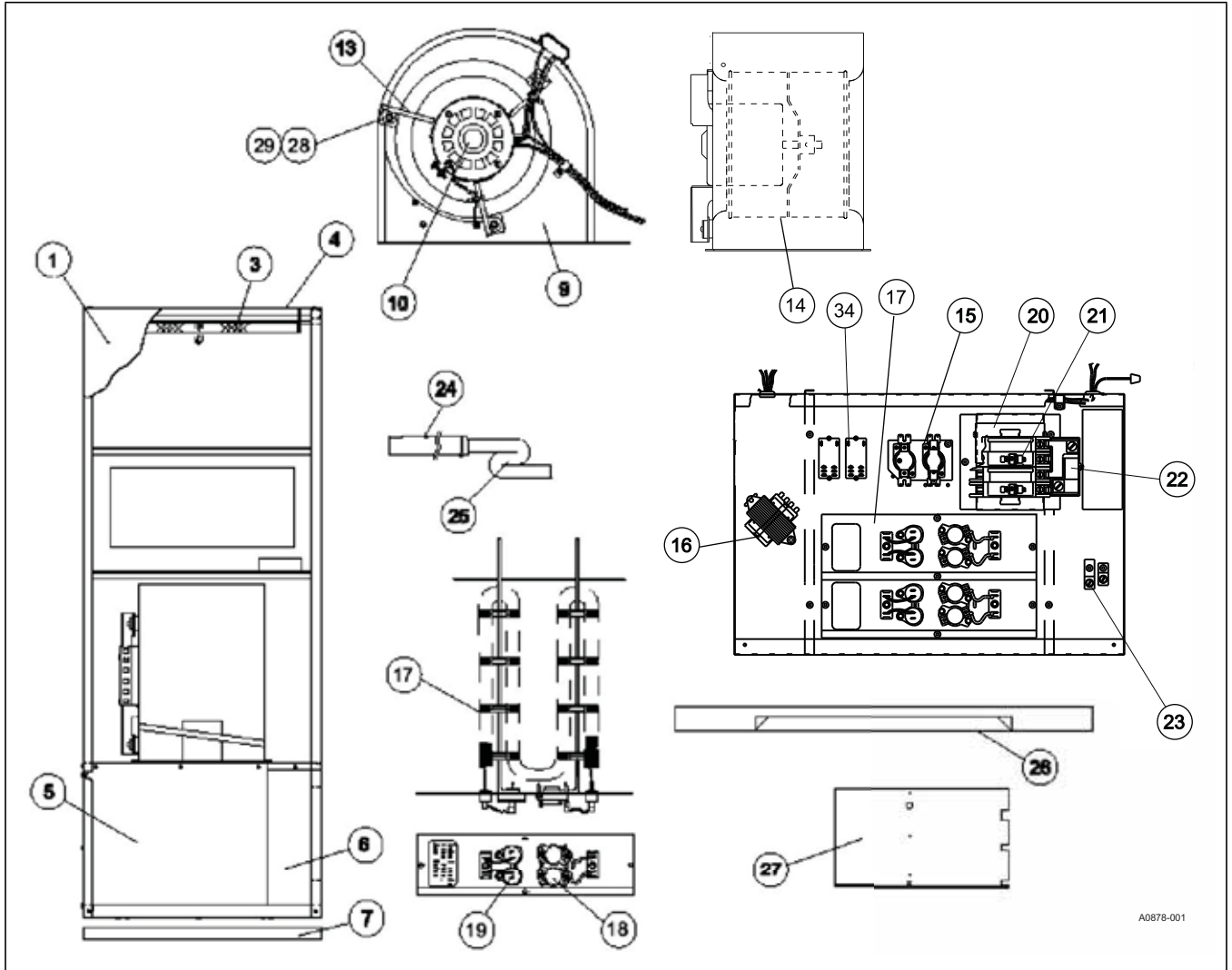
If the controls are located at the top of the unit, the furnace is an upflow furnace and the airflow is forced up through the furnace and into the airways.

HIGH PERFORMANCE BLOWER ACCESSORY PACKAGE**CAUTION**

All areas around the line sets, drain hoses and other openings in the furnace should be sealed airtight. Use some moldable compound or caulking to seal the area. Failure to do so may result in loss of performance and premature compressor failure.

All EBE/EUE furnaces are equipped with a blower and control system to add on air conditioning and heat pumps to specified sizes. If the requirement is to achieve more airflow or cooling than specified, replace the blower inside the furnace with accessory blower package 3500-7911. This accessory blower package delivers air conditioning up to 5 tons. Apply accessory blower package 3500-7911 to EBE and EUE units (downflow or upflow orientation) to achieve higher airflow. Refer to the installation instructions packed with the accessory package for more information.

SECTION V: REPAIR PARTS LIST



A0878-001

FIGURE 4: EBE Downflow Application

ITEM	DESCRIPTION	EBE10A	EBE12A	EBE15A
1	Front Panel (Louvered, Insulated)	3501-9211	3501-9211	3501-9211
2* (Opt)	Front Panel (Solid, Insulated)	3501-9111	3501-9111	3501-9111
3	Filter (16 x 20 x 1)	S1-1214-2511	S1-1214-2511	S1-1214-2511
4	Support Angle.Top (Door)	S1-3500-1861	S1-3500-1861	S1-3500-1861
5	Cover, Electric Box	S1-3500-2351/A	S1-3500-2361/A	S1-3500-2361/A
6	Cover (Service Entrance)	S1-3500-1271	S1-3500-1271	S1-3500-1271
7	Sub-base	S1-3500-1071/B	S1-3500-1071/B	S1-3500-1071/B
8	---	---	---	---
9	Blower Housing	S1-37323744001	S1-37323744001	S1-37323744001
10	Blower Motor, Standard ECM (Prgm)	S1-02439707000	S1-02439707000	S1-02439707000
11	---	---	---	---
12	---	---	---	---
13	Motor Mount Assembly Kit (1PC)	S1-37319831002	S1-37319831002	S1-37319831002
14	Blower Wheel	S1-02632627700	S1-02632627700	S1-02632627700
15	Sequencer	S1-3110-3571	S1-3110-3571	S1-3115-3571
16	Transformer (240/24V-40A)	S1-3300-3861	S1-3300-3861	S1-3300-3861
17	Heater Element Assembly w/Limit and Jumper Wire	(9.6Kw) S1-02541236000	(11.2Kw) S1-02541238000	(4.8Kw) and (9.6Kw) S1-02541237000 S1-02541236000
18	Limit Switch	S1-02541249000 (Open 200, Close 140)	S1-02541249000 (Open 200, Close 140)	S1-02541249000 (Open 200, Close 140)
19	Fusible Link	S1-02541250000	S1-02541250000	S1-02541250000
20	Bracket (Circuit Breaker)	3500-128	3500-128	3500-128
21	Circuit Breaker (1 Required)	S1-3500-377P/A	---	---
	Circuit Breaker (2 Required)	---	S1-3500-377P/A	S1-3500-377P/A
22	Buss Bar (See Note 2)	S1-3500-378P	S1-3500-378P	S1-3500-378P
23	Ground Lug (Large)	1216-231	1216-231	1216-231
	Ground Lug (Small)	---	---	S1-02521798000
24	Drain Tube (See Note 1)	S1-02922184001	S1-02922184001	S1-02922184001
25	Condensate Trap (See Note 1)	S1-3240-3051	S1-3240-3051	S1-3240-3051
26	Coil Shelf (See Note 1)	3500-174	3500-174	3500-174
27	Coil Shelf Panel (See Note 1)	3500-171	3500-171	3500-171
28	Ferrule (3 Required)	S1-02320541000	S1-02320541000	S1-02320541000
29	Grommet (3 Required)	S1-02814740000	S1-02814740000	S1-02814740000
30	Fuse	S1-02532746026	S1-02532746026	S1-02532746026
31*	Wiring diagram	5395383	5395384	5395385
32*	Harness, Wire, ECM	S1-02550192000	S1-02550192000	S1-02550192000
33*	Cover, Service	S1-3500-1271	S1-3500-1271	S1-3500-1271
34	Relay, Control (1 Required)	S1-02436281000	S1-02436281000	---
	Relay, Control (2 Required)	---	---	S1-02436281000

NOTE: *Not Shown

New replacement parts shown in **bold** face type at the first printing of parts list dated 11/17.

Major components and suggested stocking items are shown with shaded item number.

"<" Across from row indicates a change in that row.

--- Not applicable to specified model.

All parts with three digit suffix numbers are Special Order parts. These parts are subject to factory availability and require extra time for delivery.

1 Not factory installed. Contained in OEM purchased coils.

2 Standard on EBE12A.

ITEM	DESCRIPTION	EBE17A	EBE20A	EBE23A
1	Front Panel (Louvered, Insulated)	3501-9211	3501-9211	3501-9211
2* (Opt)	Front Panel (Solid, Insulated)	3501-9111	3501-9111	3501-9111
3	Filter (16 x 20 x 1)	S1-1214-2511	S1-1214-2511	S1-1214-2511
4	Support Angle, Top (Door)	S1-3500-1861	S1-3500-1861	S1-3500-1861
5	Cover, Electric Box	S1-3500-2361/A	S1-3500-2361/A	S1-3500-2361/A
6	Cover (Service Entrance)	S1-3500-1271	S1-3500-1271	S1-3500-1271
7	Sub-base	S1-3500-1071/B	S1-3500-1071/B	S1-3500-1071/B
8	---	---	---	---
9	Blower Housing	S1-37323744001	S1-37323744001	S1-37323744001
10	Blower Motor, Std. ECM (Prgm)	S1-02439707000	S1-02439707000	S1-02439707000
11	---	---	---	---
12	---	---	---	---
13	Motor Mount Assembly Kit (1PC)	S1-37319831002	S1-37319831002	S1-37319831002
14	Blower Wheel	S1-02632627700	S1-02632627700	S1-02632627700
15	Sequencer	S1-3115-3571	S1-3120A3571	S1-3120A3571
16	Transformer (240/24V-40A)	S1-3300-3861	S1-3300-3861	S1-3300-3861
17	Heater Element Assembly w/Limit and Jumper Wire	(5.6Kw) and (10.4Kw) S1-02541239000 S1-02541240000	2 Each (9.6Kw) S1-02541236000	(10.4Kw) and (11.2Kw) S1-02541240000 S1-02541238000
18	Limit Switch	S1-02541249000 (Open 200, Close 140)	S1-02541249000 (Open 200, Close 140)	S1-02541249000 (Open 200, Close 140)
19	Fusible Link	S1-02541250000	S1-02541250000	S1-02541250000
20	Bracket (Circuit Breaker)	3500-128	3500-128	3500-128
21	Circuit Breaker (2 Required) (See Note 2)	S1-3500-377P/A	S1-3500-377P/A	S1-3500-377P/A
22	Buss Bar	S1-3500-378P	S1-3500-378P	S1-3500-378P
23	Ground Lug (Large)	1216-231	1216-231	1216-231
	Ground Lug (Small)	S1-02521798000	S1-02521798000	S1-02521798000
24	Drain Tube (See Note 1)	S1-02922184001	S1-02922184001	S1-02922184001
25	Condensate Trap (See Note 1)	S1-3240-3051	S1-3240-3051	S1-3240-3051
26	Coil Shelf (See Note 1)	3500-174	3500-174	3500-174
27	Coil Shelf Panel (See Note 1)	3500-171	3500-171	3500-171
28	Ferrule (3 Required)	S1-02320541000	S1-02320541000	S1-02320541000
29	Grommet (3 Required)	S1-02814740000	S1-02814740000	S1-02814740000
30	Fuse	S1-02532746026	S1-02532746026	S1-02532746026
31*	Wiring diagram	5395387	5395388	5395389
32*	Harness, Wire, ECM	S1-02550192000	S1-02550192000	S1-02550192000
33*	Cover, Service	S1-3500-1271	S1-3500-1271	S1-3500-1271
34	Relay, Control (2 Required)	S1-02436281000	S1-02436281000	S1-02436281000

NOTE: *Not Shown

New replacement parts shown in **bold** face type at the first printing of parts list dated 11/17.

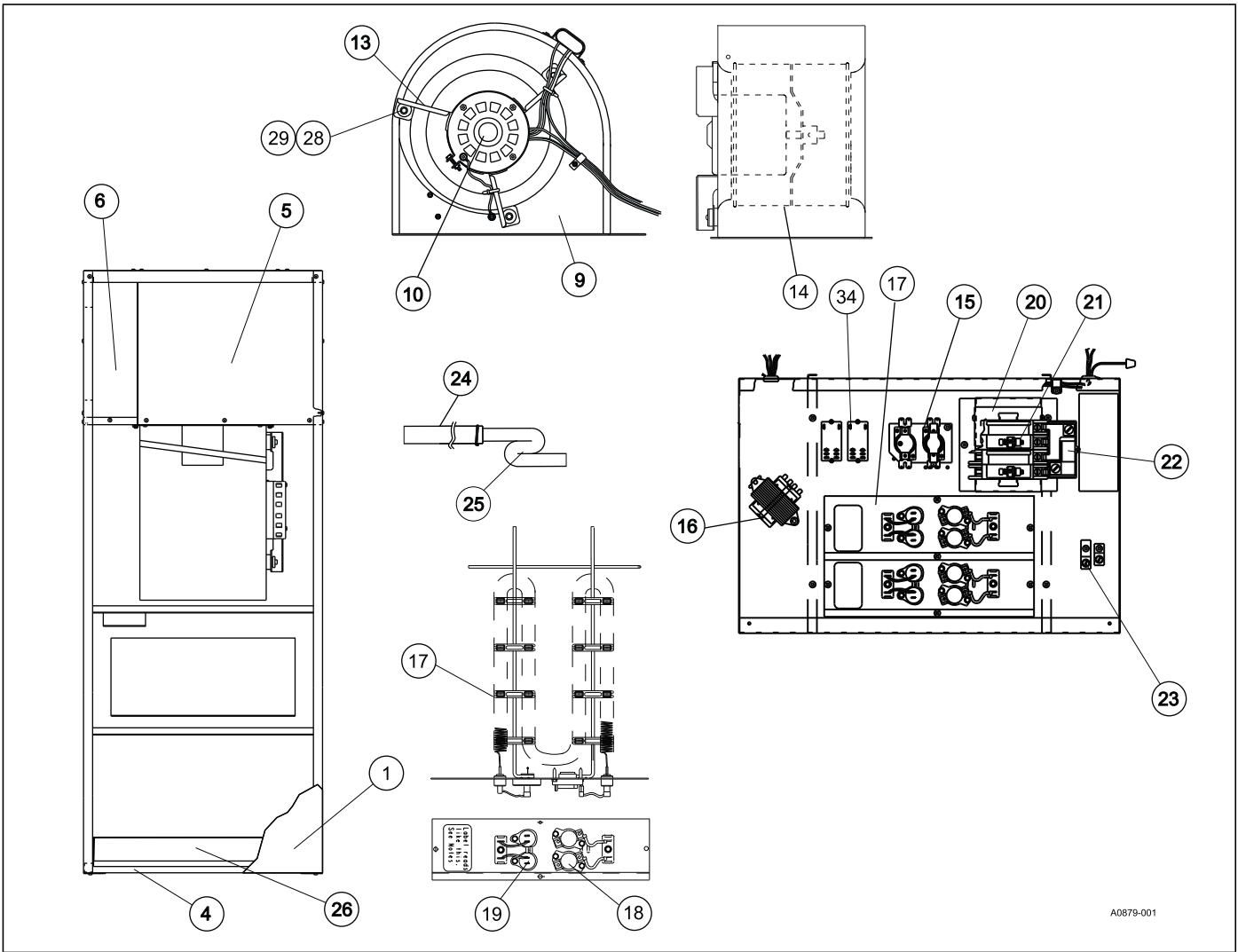
Major components and suggested stocking items are shown with shaded item number.

"<" Across from row indicates a change in that row.

--- Not applicable to specified model.

All parts with three digit suffix numbers are Special Order parts. These parts are subject to factory availability and require extra time for delivery.

1 Not factory installed. Contained in OEM purchased coils.



A0879-001

FIGURE 5: EUE Upflow Application

ITEM	DESCRIPTION	EUE10A	EUE12A	EUE15A
1	Front Panel (Solid, Insulated)	3501-9111	3501-9111	3501-9111
2*	Handle, Door	7990-315/A	7990-315/A	7990-315/A
3	---	---	---	---
4	Support Angle.Top (Door)	S1-3500-1861	S1-3500-1861	S1-3500-1861
5	Cover, Electric Box	S1-3500-2351/A	S1-3500-2361/A	S1-3500-2361/A
6	Cover (Service Entrance)	S1-3500-1271	S1-3500-1271	S1-3500-1271
7	---	---	---	---
8	---	---	---	---
9	Blower Housing	S1-37323744001	S1-37323744001	S1-37323744001
10	Blower Motor	S1-02439707000	S1-02439707000	S1-02439707000
11	---	---	---	---
12	---	---	---	---
13	Motor Mount Assembly Kit (1PC)	S1-37319831002	S1-37319831002	S1-37319831002
14	Blower Wheel	S1-02632627700	S1-02632627700	S1-02632627700
15	Sequencer	S1-3110-3571	S1-3110-3571	S1-3115-3571
16	Transformer (240/24V-40A)	S1-3300-3861	S1-3300-3861	S1-3300-3861
17	Heater Element Assembly w/Limit and Jumper Wire	(9.6Kw) S1-02541236000	(11.2Kw) S1-02541238000	(4.8Kw) and (9.6Kw) S1-02541237000 S1-02541236000
18	Limit Switch	S1-02541249000 (Open 200, Close 140)	S1-02541249000 (Open 200, Close 140)	S1-02541249000 (Open 200, Close 140)
19	Fusible Link	S1-02541250000	S1-02541250000	S1-02541250000
20	Bracket (Circuit Breaker)	3500-128	3500-128	3500-128
21	Circuit Breaker (1 Required)	S1-3500-377P/A	---	---
	Circuit Breaker (2 Required)	---	S1-3500-377P/A	S1-3500-377P/A
22	Buss Bar (See Note 2)	S1-3500-378P	S1-3500-378P	S1-3500-378P
23	Ground Lug (Large)	1216-231	1216-231	1216-231
	Ground Lug (Small)	---	---	S1-02521798000
24	Drain Tube (See Note 1)	S1-02922184001	S1-02922184001	S1-02922184001
25	Condensate Trap (See Note 1)	S1-3240-3051	S1-3240-3051	S1-3240-3051
26	Coil Shelf	3500-8981	3500-8981	3500-8981
27	---	---	---	---
28	Ferrule (3 Required)	S1-02320541000	S1-02320541000	S1-02320541000
29	Grommet (3 Required)	S1-02814740000	S1-02814740000	S1-02814740000
30	Fuse	S1-02532746026	S1-02532746026	S1-02532746026
31*	Wiring diagram	5395383	5395384	5395385
32*	Wire Harness, ECM	S1-02550192000	S1-02550192000	S1-02550192000
33	---	---	---	---
34	Relay, Control (1 each)	S1-02436281000	S1-02436281000	---
	Relay, Control (2 each)	---	---	S1-02436281000

NOTE: *Not Shown

New replacement parts shown in **bold** face type at the first printing of parts list dated 11/17.

Major components and suggested stocking items are shown with shaded item number.

"<" Across from row indicates a change in that row. Changes are in red.

--- Not applicable to specified model.

All parts with three digit suffix numbers are Special Order parts. These parts are subject to factory availability and require extra time for delivery.

1 Not Standard with furnace.

2 Standard on EUE12A.

ITEM	DESCRIPTION	EUE17A	EUE20A	EUE23A
1	Front Panel (Solid, Insulated)	3501-9111	3501-9111	3501-9111
2*	Handle, Door	7990-315/A	7990-315/A	7990-315/A
3	---	---	---	---
4	Support Angle, Top (Door)	S1-3500-1861	S1-3500-1861	S1-3500-1861
5	Cover, Electric Box	S1-3500-2361/A	S1-3500-2361/A	S1-3500-2361/A
6	Cover (Service Entrance)	S1-3500-1271	S1-3500-1271	S1-3500-1271
7	---	---	---	---
8	---	---	---	---
9	Blower Housing	S1-37323744001	S1-37323744001	S1-37323744001
10	Blower Motor	S1-02439707000	S1-02439707000	S1-02439707000
11	---	---	---	---
12	---	---	---	---
13	Motor Mount Assembly Kit (1PC)	S1-37319831002	S1-37319831002	S1-37319831002
14	Blower Wheel	S1-02632627700	S1-02632627700	S1-02632627700
15	Sequencer	S1-3115-3571	S1-3120A3571	S1-3120A3571
16	Transformer (240/24V-40A)	S1-3300-3861	S1-3300-3861	S1-3300-3861
17	Heater Element Assembly w/Limit and Jumper Wire	(5.6Kw) and (10.4Kw) S1-02541239000 S1-02541240000	2 Each (9.6Kw) S1-02541236000	(10.4Kw) and (11.2Kw) S1-02541240000 S1-02541238000
18	Limit Switch	S1-02541249000 (Open 200, Close 140)	S1-02541249000 (Open 200, Close 140)	S1-02541249000 (Open 200, Close 140)
19	Fusible Link	S1-02541250000	S1-02541250000	S1-02541250000
20	Bracket (Circuit Breaker)	3500-128	3500-128	3500-128
21	Circuit Breaker (2 Required)	S1-3500-377P/A	S1-3500-377P/A	S1-3500-377P/A
22	Buss Bar	S1-3500-378P	S1-3500-378P	S1-3500-378P
23	Ground Lug (Large)	1216-231	1216-231	1216-231
	Ground Lug (Small)	S1-02521798000	S1-02521798000	S1-02521798000
24	Drain Tube (See Note 1)	S1-02922184001	S1-02922184001	S1-02922184001
25	Condensate Trap (See Note 1)	S1-3240-3051	S1-3240-3051	S1-3240-3051
26	Coil Shelf	3500-8981	3500-8981	3500-8981
27	---	---	---	---
28	Ferrule (3 Required)	S1-02320541000	S1-02320541000	S1-02320541000
29	Grommet (3 Required)	S1-02814740000	S1-02814740000	S1-02814740000
30	Fuse	S1-02532746026	S1-02532746026	S1-02532746026
31*	Wiring diagram	5395387	5395388	5395389
32*	Wire Harness, ECM	S1-02550192000	S1-02550192000	S1-02550192000
33	---	---	---	---
34	Relay, Control (2 each)	S1-02436281000	S1-02436281000	S1-02436281000

NOTE: *Not Shown

New replacement parts shown in **bold** face type at the first printing of parts list dated 11/17.

Major components and suggested stocking items are shown with shaded item number.

"<" Across from row indicates a change in that row. Changes are in red.

--- Not applicable to specified model.

All parts with three digit suffix numbers are Special Order parts. These parts are subject to factory availability and require extra time for delivery.

1 Not Standard with furnace.

Limited Warranty

Manufactured Housing Electric Furnaces

WARRANTY TERMS: Johnson Controls Unitary Products ("Company") warrants this product to be free from defects in factory workmanship and material under normal use and service and will at its option, repair or replace defective parts without charge, subject to the exclusions below and according to the terms outlined in this warranty. Company reserves the right, at its sole discretion, to provide an equivalent complete replacement unit in place of repair parts. Alternatively, Company may at its option, offer a replacement price allowance to be applied toward the purchase of a new unit offered by Company. The exact allowance amount will be determined at the discretion of Company, based upon availability, age of existing equipment and current market conditions, but excluding items as ductwork, wiring, piping, and installation costs. The warranty period for obtaining repaired or replacement parts, or an allowance shall not extend beyond the original warranty period as stated below. In addition, if a replacement unit is provided by Company, the warranty period for the complete replacement unit is limited to the remainder of the original warranty period.

This warranty covers only equipment described by the Product Model Number and Unit Serial Number on the equipment or listed on the Warranty Registration Card, and applies only to products installed in the United States, Canada, or Puerto Rico. Company shall have no responsibility for installation, service, shipping, handling or other costs or charges, except as otherwise provided in this warranty. Tampering, altering, defacing, or removing the product serial number will serve to void this warranty. This warranty extends only to the original consumer purchaser and is nontransferable.

For this warranty to apply, the product must be installed according to Company recommendations and specifications, and in accordance with all local, state, and national codes; and the product or residence must not be removed from its place of original installation. This warranty does not apply to any unit sold over the Internet, by telephone or other electronic means unless the dealer that buys or sells a unit over the Internet, by telephone or other electronic means also installs the unit. In the absence of a recorded Warranty Registration Card, the warranty period will begin upon product shipment from Company. If you are unaware of the effective warranty date, contact Company at (877) 874-7378 or www.upgproductregistration.com.

FOR PRODUCT REGISTRATION: For your benefit and protection, register your product with Company promptly after installation. This will initiate the warranty period and allow us to contact you, should it become necessary. You can register your product by returning the Warranty Registration Card on the back page of this Booklet or online at www.upgproductregistration.com.

Product Model Number: _____ **Installation Date:** _____

Unit Serial Number: _____ **Installing Dealer:** _____

WARRANTY PERIOD: The warranty period in years, depending on the part, is as shown in the chart below.

FOR WARRANTY SERVICE OR REPAIR: Contact your installing or servicing dealer.

WARRANTY PERIOD: The warranty period in years, depending on the part, is as shown in the chart below.

Furnace Model	Parts Coverage	Labor and Trip Coverage*
EBE/EUE	2 years	1 year
NOTES:		
*The warranty period for any replacement part provided here under shall not extend beyond the warranty period stated above.		
The warranty period will begin on the purchase date of the residence when the product is installed as original equipment, or the installation date when installed in a residence previously purchased by the consumer.		

MAINTENANCE: Company strongly recommends regular periodic preventive maintenance on this equipment. The person most familiar with the equipment in your HVAC system is a Participating Dealer, who can ensure that your maintenance program meets the Company Warranty conditions, maximize the equipment efficiency, and service your unit within the mandated guidelines. For additional buyer protection, Residential Home Comfort Plans are available from a Participating Dealer. These plans provide you with additional years of warranty service protection including labor charges. Home Comfort Plans must be purchased within one (1) year from the date the equipment was installed.

FOR WARRANTY SERVICE OR REPAIR: Notify the Installing Dealer or a Participating Dealer, preferably in writing, as soon as possible after you have discovered the problem. Be sure to include the Product Model Number, Unit Serial Number, Installation Date, and a description of the problem. You may find the Installing Dealer's name on this page or on the equipment, and you can locate Participating Dealers online. If a Dealer response is not received within a reasonable amount of time, notify Company at: Johnson Controls Unitary Products, Consumer Relations, 5005 York Drive, Norman, OK 73069 or by telephone at (877) 874-7378. All warranty service or repair will be performed during regular business hours, Monday through Friday 9:00 AM - 5:00 PM. Service requests sent to Company without prior Dealer contact will be referred back to a Participating Dealer. Because this process takes time, it is in the best interest of the Consumer to contact a Participating Dealer directly.

EXCLUSIONS: This warranty does not cover any of the following:

1. Shipping, labor, or material charges or damages resulting from transportation, installation, or servicing.
2. Damage or repairs required as a consequence of mishandling, faulty installation, misapplication, abuse, improper servicing, improper operation, or unauthorized alteration.
3. Damages or failure to start resulting from improper voltage conditions, blown fuses, open circuit breakers, or other inadequacy or interruption of electrical service or fuel supply.
4. Fuses, either internal or external to the product.
5. Labor or other costs incurred for diagnosing, repairing, removing, installing, shipping, servicing, or handling of defective/replacement parts.
6. Products removed from their original location for reinstallation purposes.
7. Damages resulting from accident, abuse, fire, flood, alteration, or acts of God.
8. Damages resulting from use of the product in a corrosive atmosphere.
9. Normal maintenance costs are not covered.
10. Damages resulting from failure to perform normal maintenance as shown in installation and servicing instructions or owner's manual.
11. Cleaning or replacement of filters, nozzles, or orifices.
12. Damages resulting from operation with inadequate supply of air or from damages resulting from failure to properly and regularly clean air side of condenser and evaporator.
13. Damages resulting from freezing of condensate water or improper drainage of condensate from the furnace.
14. Damages caused by improper parts, components or accessories not suitable for use in or with the unit. For a list of parts that are known to be compatible, reference equipment repair parts list, contact a Participating Dealer for assistance, or call 1-877-874-7378.
15. Electricity or fuel costs or increases in fuel or electric costs, for any reason including additional or unusual use of supplemental heat.

This warranty is in lieu of all other express warranties. All implied warranties, including the implied warranty of merchantability and fitness for a particular purpose are limited in duration to the actual warranty period applicable to the part. Some states do not allow the disclaimer of implied warranties, so the above disclaimer may not apply to you. In addition, some states do not allow limitations on how long an implied warranty lasts, so the above limitation may not apply to you. In no event, whether as a result of breach of warranty or contract, tort (including negligence), strict liability, or otherwise, shall Company be liable for special, incidental, or consequential damages or expenses, including but not limited to loss of use of the equipment or associated equipment, lost revenues or profits, cost of substitute equipment, or cost of fuel or electricity.

The above limitations shall inure to the benefit of Company's suppliers and subcontractors. The above limitation on consequential damages shall not apply to injuries to persons in the case of consumer goods. Company does not assume, or authorize any other person to assume for Company, any other liability for the sale of this product. Some states do not allow the exclusion or limitation of incidental or consequential damages, so the above limitation may not apply to you. This warranty gives you specific legal rights. You may also have other rights which vary from state to state.